

# SERIES II TRANSMITTER INSTRUCTIONS

## 2 TO PROGRAM THE RECEIVER

- Step 2-1** Locate the Learn Code Button and Radio Signal Indicator on the Power Head Receiver of your Door Operator.
- Step 2-2** Press and release the Learn Code Button **Fig. 1**.
- The Radio Signal Indicator will blink approximately 2 times per second.
- Step 2-3** Press a Transmitter Button once within 30 seconds.
- The Radio Signal Indicator stays lit - **SOLID**.

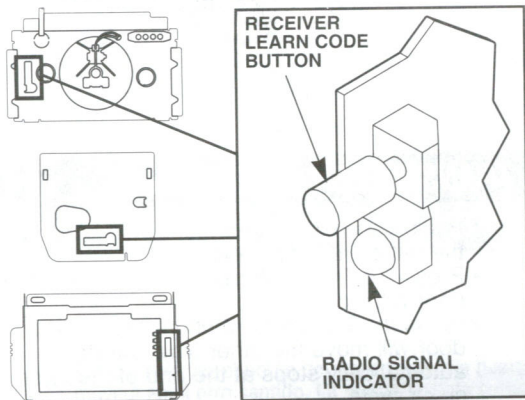


Fig. 1

- Step 2-4** Press the same Transmitter Button within 30 seconds.
- Radio Signal Indicator will go out.

**NOTE:** If a second Transmitter Code is not confirmed within 30 seconds or if a different Transmitter Code is sent, the Radio Signal Indicator will blink approximately 4 times per second, then programming will stop. If programming stops, repeat Steps 2-2 through 2-4.

- Step 2-5** Repeat Steps 2-2 through Step 2-4 for each Transmitter, Wireless Keypad or other access device to be learned.

**NOTE:** A maximum of 7 Transmitter, Wireless Keypad and other access device Codes can be stored into Receiver Memory at one time. If a Transmitter becomes lost or if you want to delete a Transmitter, Wireless Keypad or other access device, proceed to **4 ERASING ALL RECEIVER MEMORY**.

**NOTE:** If you are replacing a lost or stolen Transmitter: (1) Erase ALL Transmitter Codes from the Receiver memory. (2) Reprogram the Receiver with the remaining Transmitters Codes.

## 3 MULTI-BUTTON TRANSMITTERS

**NOTE:** Only **ONE** button of a Multi-Button Transmitter can be programmed into a single Receiver. The other buttons are to control other Door Operators.

## 4 ERASING ALL RECEIVER MEMORY

- Step 4-1** Press and **HOLD** the Learn Code Button for 10 seconds or until Radio Signal Indicator goes out.

**ALL Transmitter Codes are erased from Receiver memory.**

- Step 4-2** Reprogram the Receiver with the remaining Transmitter Codes (Repeat Steps 2-2 through 2-4).

## 5 BATTERY / VISOR CLIP INSTALLATION

- Step 5-1** Turn Transmitter upside down **Fig. 2**.
- Step 5-2** Battery replacement (your Transmitter is battery powered).
- Gently push straight **IN** on Tab as shown **Fig. 2**.
    - use ball point pen, coin or small screwdriver.
    - battery cover snaps open.
  - Install new battery in same position, use **EVEREADY**, A23, 12 Volt (lighter type).
  - Press on battery cover until it snaps closed.
- Step 5-3** Attach Visor Clip to Transmitter **Fig. 3**.
- Slide Visor Clip into back of case until it snaps into place.

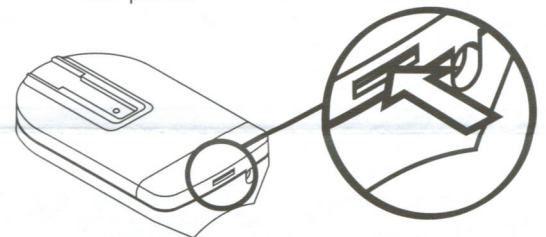


Fig. 2

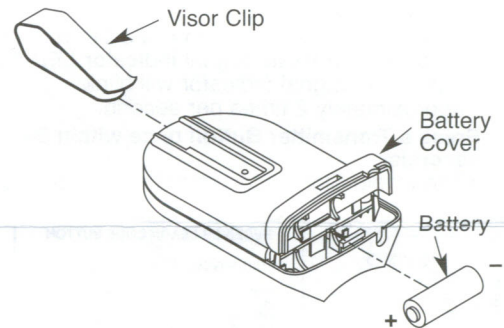


Fig. 3